

# Double Hung Tilt and Tilt Slider

Quality Windows to Endure Extreme Weather Conditions.



# Double Hung Tilt and Tilt Slider

When you're looking for quality, energy-efficient windows, look no further than Seymour Windows. Seymour windows are virtually maintenance-free, manufactured of 100% solid vinyl. They won't rot,

warp, blister or peel, they never need painting, and are designed for easy cleaning.

and our strict attention to detail ensures that you get a beautiful window that is guaranteed to maintain its shape and colour under the most severe conditions.

Each Seymour window is custom-built to meet your specific requirements,

**Seymour Windows... A beautiful, practical addition to your home.**

## Energy Efficiency

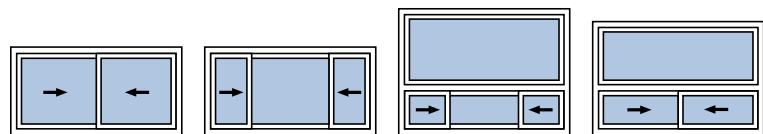
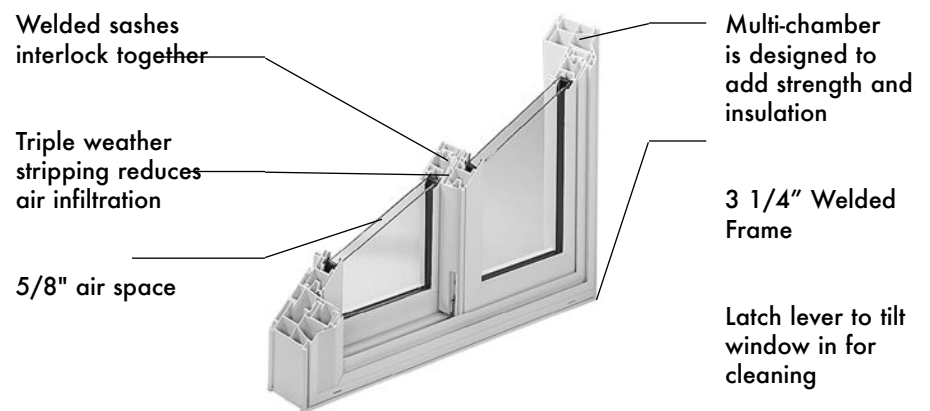
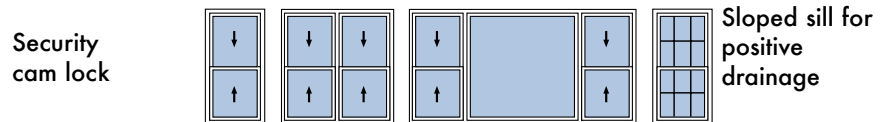
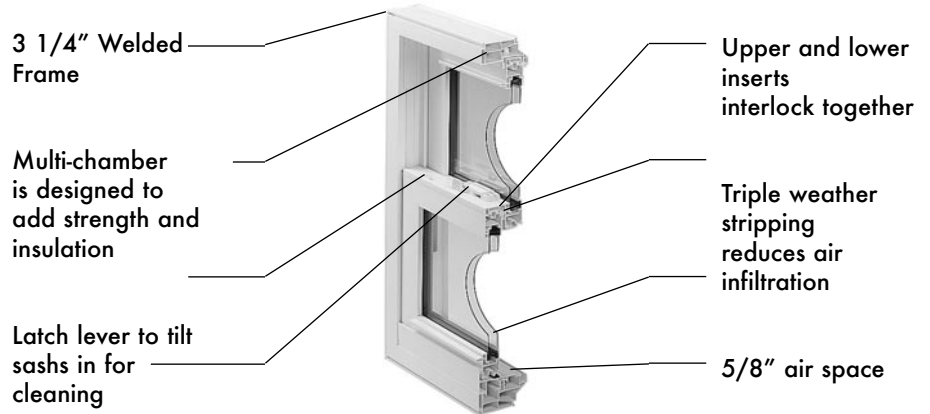
- Double glazed, sealed unit with 5/8" air space for insulation
- "Low E" glass
- "Low E" argon gas
- Triple weather stripping reduces air infiltration
- Multi-chamber design for optimum insulation and strength

## Standard Features

- Full Screen
- Inserts tilt in for easy cleaning
- Thermal pane glass insulates against noise
- Double-walled lift rail
- Locking shoes

## Factory Applied Options

- Available colours - white, sand out/white in, grey out/white in, almond out/white in, clay out/white in
- 1 1/2" and 2" J-brickmould, 1/2" and 3/4" wood drywall return, vinyl and wood interior jamb extensions, 4 5/8" and 6 5/8" wood frames
- Night latches
- Wide variety of grill types and styles
- Grey or bronze tinted glass, obscure glass



## Manufactured By:

Seymour Windows Ltd.  
1781 Seymour Street  
North Bay, Ontario P1B 8G4

In the interest of improved product performance, Seymour Windows Ltd. reserves the right to discontinue and/or change specifications of any product at any time, without notice and/or liability. Printed in Ontario, Canada.

## Authorized Dealer: